

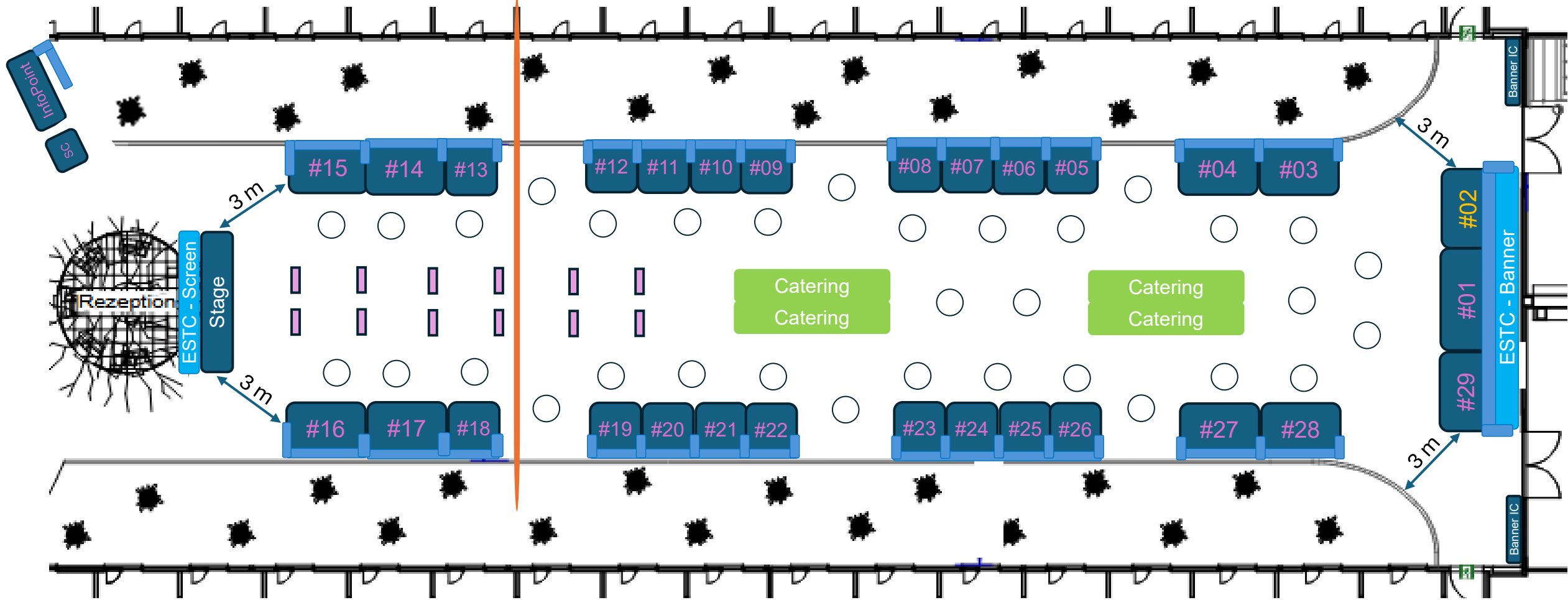
10th IEEE ESTC
September 11-13, 2024
Mercure MOA Hotel,
Berlin-Moabit, Germany

Exhibition Plan
Booth Allocation


Status: 14.08.2024


Atrium / Main Hall

Security Fire Curtain
(down to 1,80 m above ground)

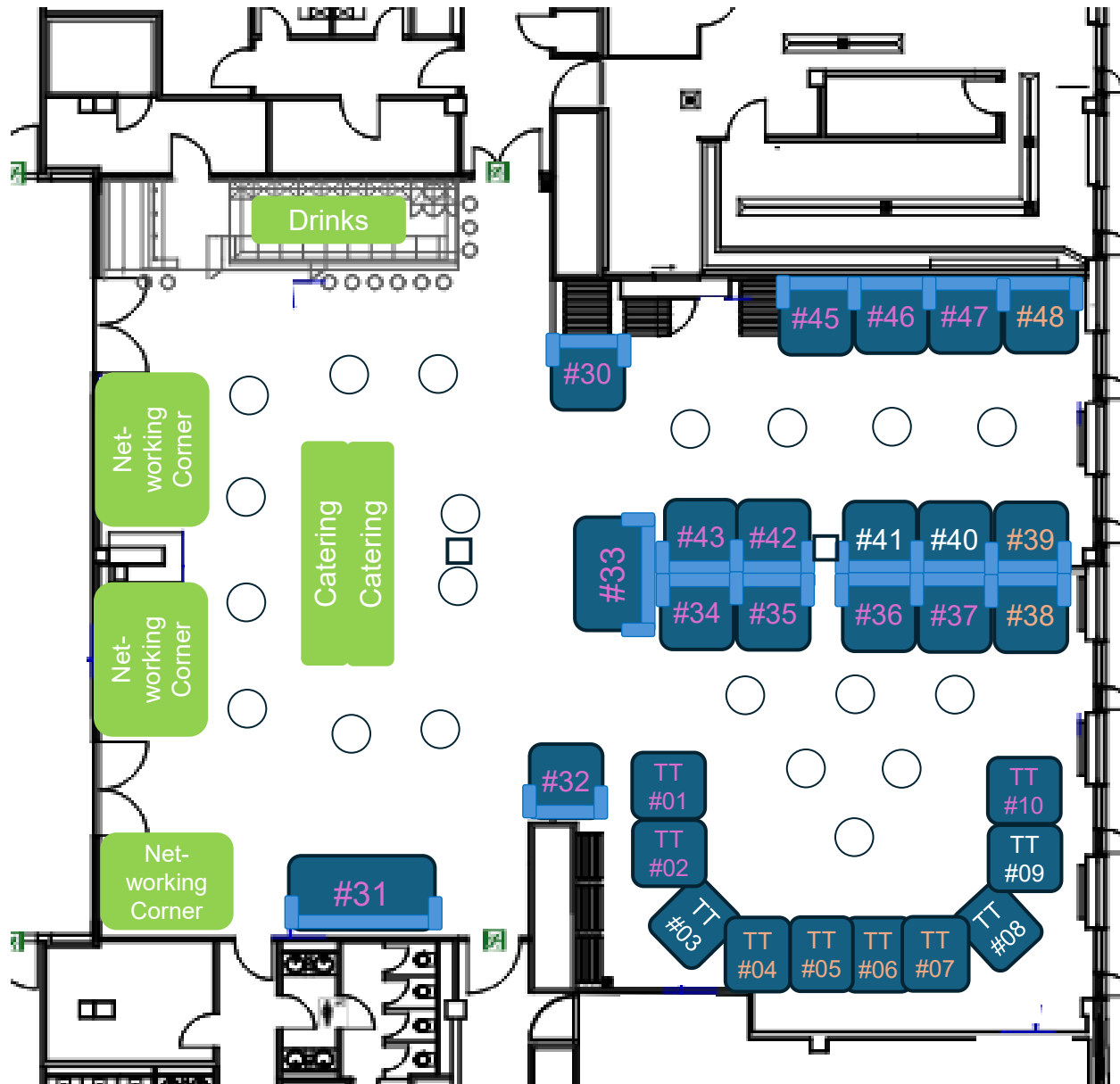


- 1 x Premium+ (4x2 m²)
- 10 x Premium (3x2 m²)
- 18 x Standard (2x2 m²)


-  - Back Wall/ Lights/ Roof/ Signate
- Side Walls into open space (50 cm max)
- Open Booth Space

-  - Mobile Poster Walls (double-sided) during Poster Presentation Sessions (3 session x 24 poster), placed here for extra traffic in the exhibition

Exhibition Room II with TableTop Area



- 1 x MediaPartner Stand (4x2 m²)
- 2 x Premium (3x2 m²)
- 16 x Standard (2x2 m²)
- 10 x TableTop (TT) (1,6x2 m²)

-  - Back Wall/ Lights/ Roof/ Signage
- Side Walls into open space (50 cm max)
- Open Booth Space

TOTAL - FINAL

- 2 x Premium+ (4x2 m²) – 4 EQ
- 12 x Premium (3x2 m²) – 18 EQ
- 34 x Standard (2x2 m²) – 34 EQ
- 10 x TableTop (TT) (1,6x2 m²) – 8 EQ

Temporary Removed from Layout = Reserve



#01: AEMtec (4 m)

#02: RESERVED

#03: Fraunhofer IZM

#04: Forschungsfabrik Mikroelektronik Deutschland (FMD)

#05: CEA Leti

#06: SAL

#07: Sarcina Technology

#08: Infineon / IPCEI ME/CT

#09: Roartis

#10: TOWA

#11: SET

#12: ERS

#13: BESI

#14: Tresky

#15: Finetech

#16: Werner Lieb GmbH

#17: Planoptik

#18: ALTER

#19: Koh Young Europe

#20: Electron Mec

#21: nanotec

#22: DISCO

#23: SCHOTT

#24: Schmid Group

#25: Heidelberg Instruments

#26: LPKF

#27: PacTech

#28: 3DiS Technologies

#29: ASE

----- EXHIBITION ROOM II -----

#30: IEEE EPS

#31: Media Partner (4 m)

#32: IMAPS Europe

#33: FhG ENAS

#34: Smart Hightech

#35: DELO

#36: TAZMO, Co.,Ltd

#37: SUSS MicroTec

#38: RESERVED

#39: RESERVED

#40:

#41:

#42: Lintec

#43: Eurofins MASER

#44: TEMP REMOVED

#45: Budatec

#46: Daicel Group

#47: Amadyne

#48: RESERVED

----- TableTop Area -----

T#01: Lidrotec

T#02: Sentech

T#03:

T#04: RESERVED

T#05: RESERVED

T#06: RESERVED

T#07: RESERVED

T#08:

T#09:

T#10: Nanotest

#XX: 4 m PLATINUM

#XX: 3 m GOLD

#XX: 2 m SILVER

#XX: 3 m PREMIUM

#XX: 2 m STANDARD

Mercure MOA Hotel

CAD-Version (23.07.2024)

